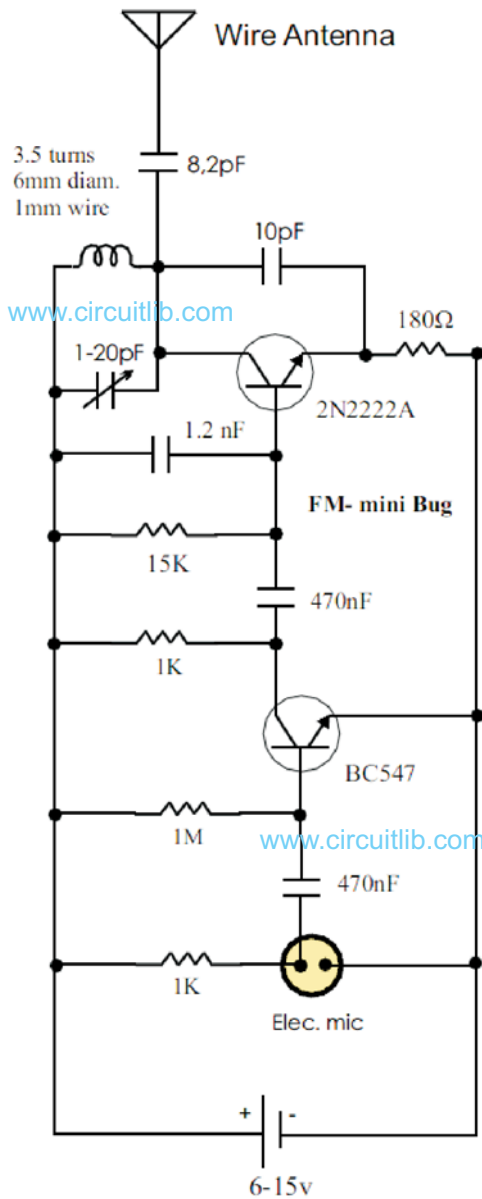


# FM Mini bug



by A.G

[www.circuitlib.com](http://www.circuitlib.com)  
Electronic Circuits Library

## Notes:

All resistors are carbon-type, 5% tolerance, 1/8 or 1/4W.

Recommended Capacitors: Low voltage Ceramics

Recommended PCB: FR4 experiments - board with individual copper per hole.  
It will not work on any type of bread-board due to parasitic capacitance & inductance.

Recommended Power Supply: 9V - LR6 - Battery.

Instead of a trimmer capacitor you can use a constant ceramic of about 12pf. In this case, you can adjust frequency by loosening or thickening the inductor turns.